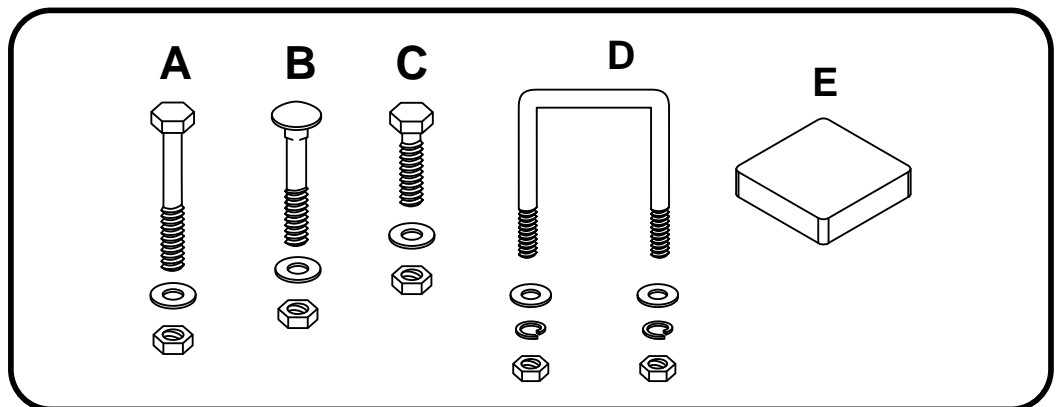
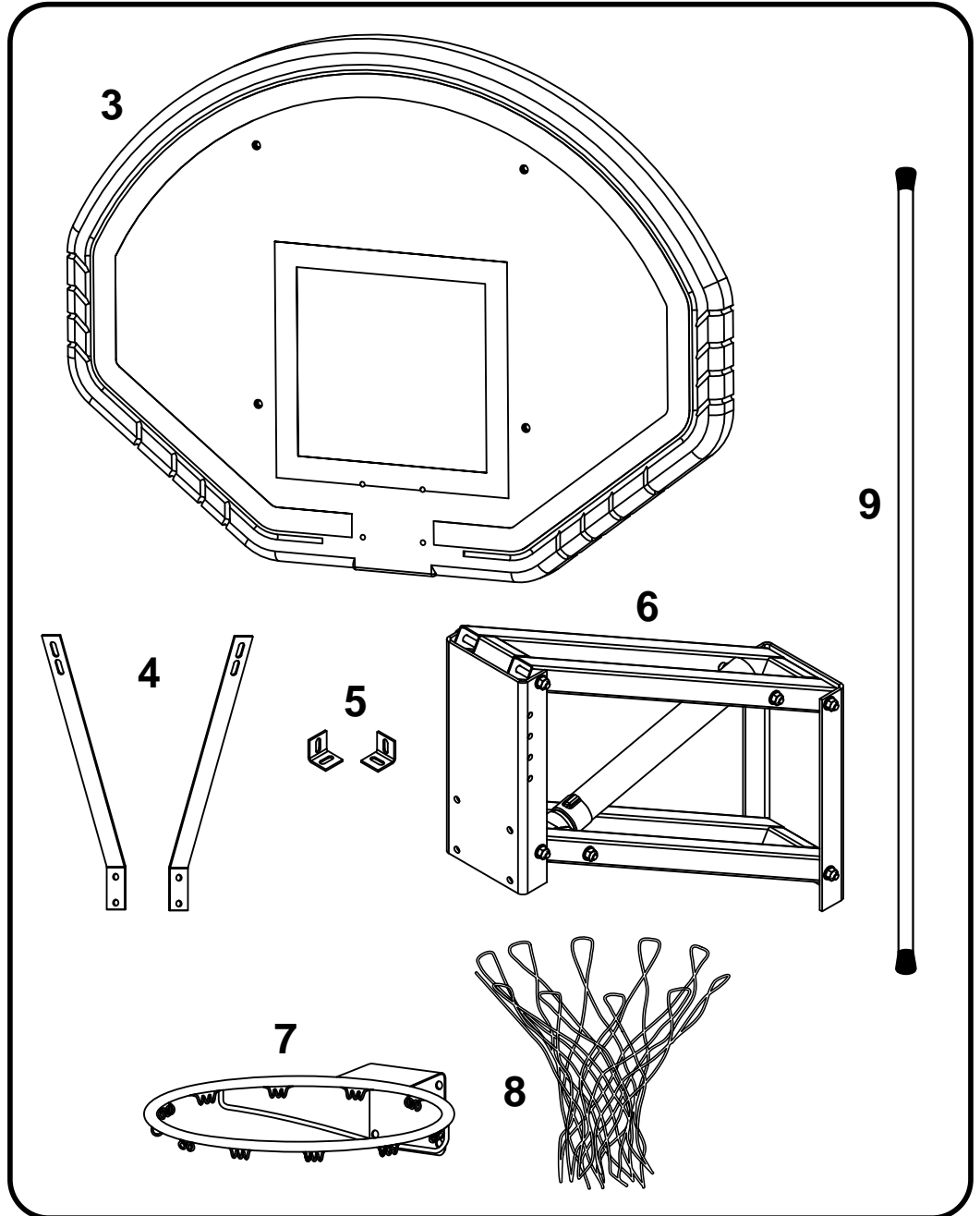
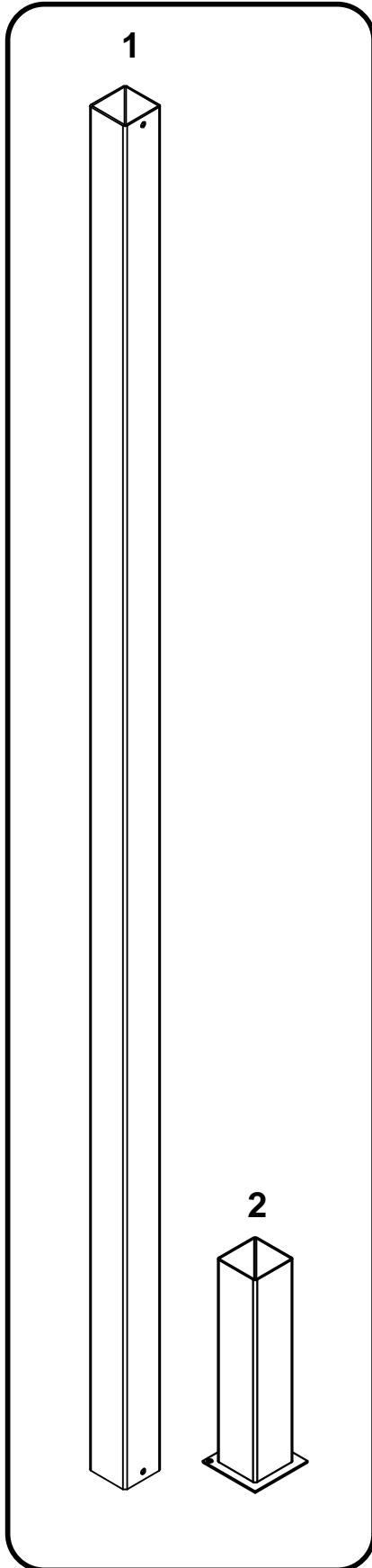
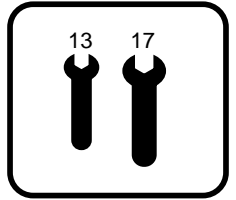
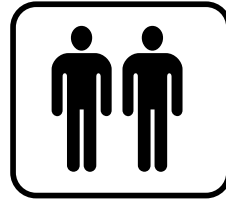
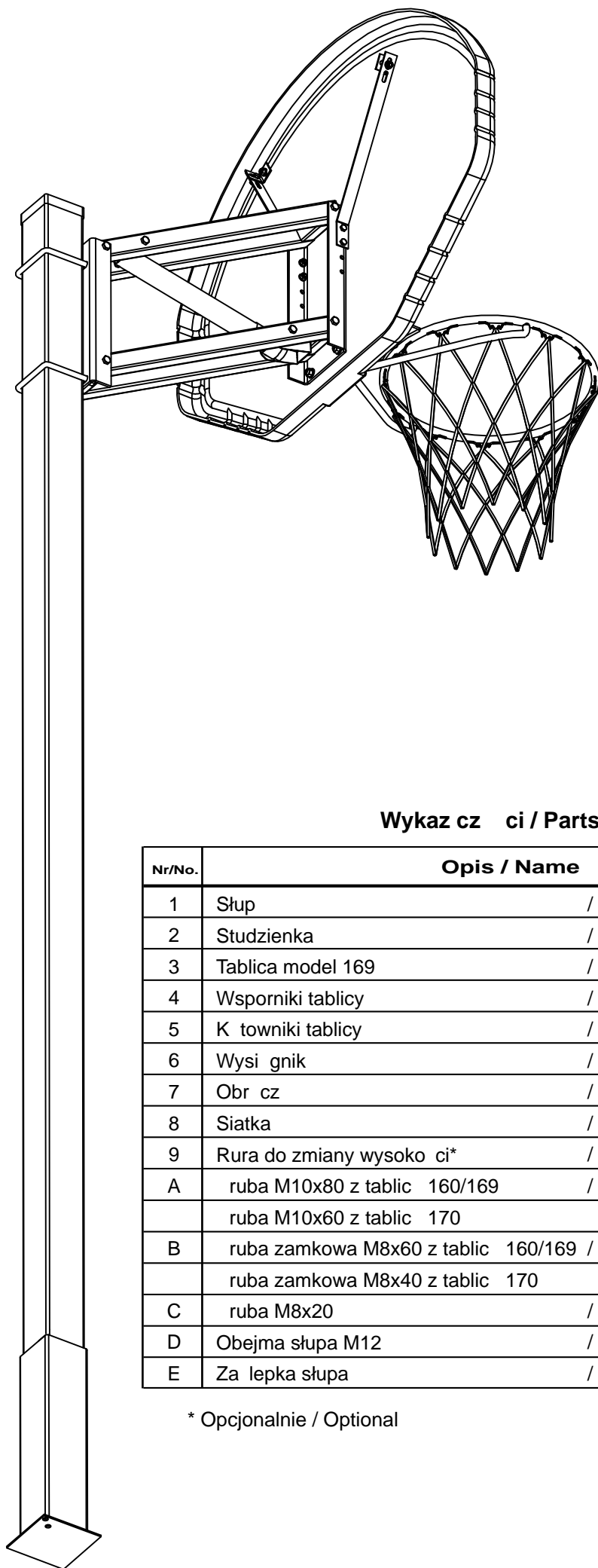


# Model 669

XI / 10



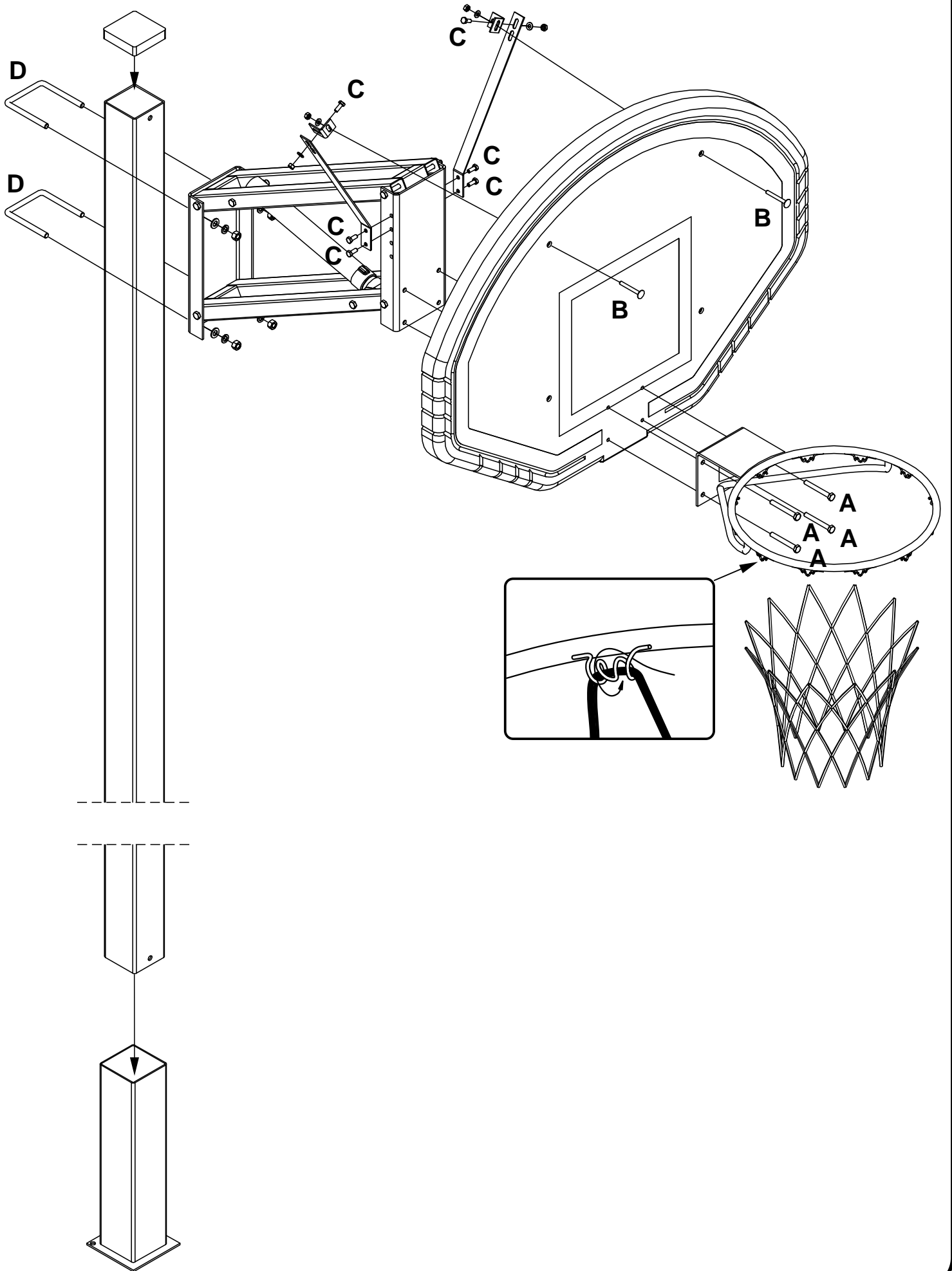


### Wykaz części / Parts check list

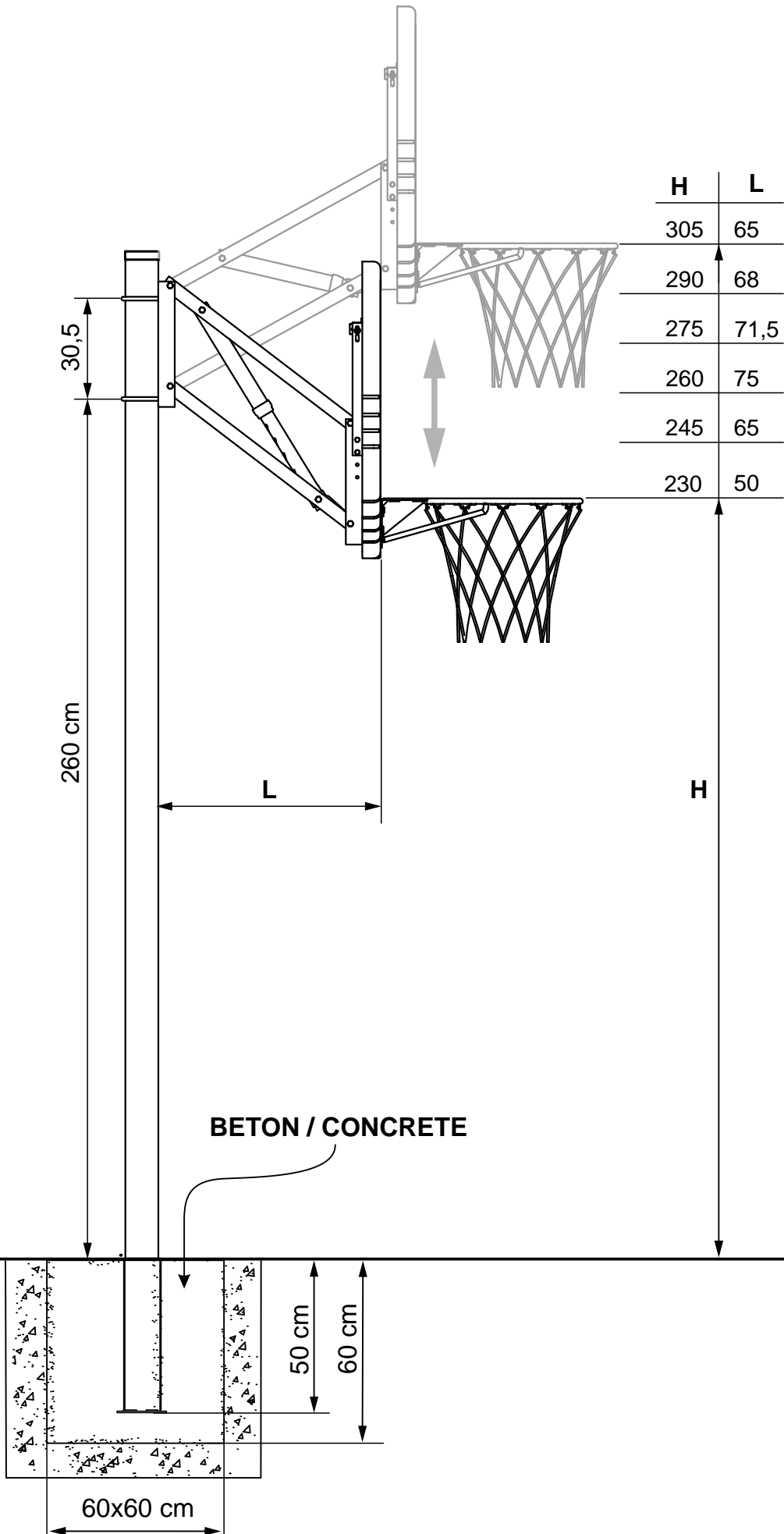
| Nr/No. | Opis / Name  | Szt./<br>Quantity |
|--------|--|-------------------|
| 1      | Słup / Post  | 1                 |
| 2      | Studzienka / Extension   | 1                 |
| 3      | Tablica model 169 / Backboard Model 169  | 1                 |
| 4      | Wsporniki tablicy / Backboard's support tube                                       | 2                 |
| 5      | Kątownicy tablicy / Angle bracket  | 2                 |
| 6      | Wysięgnik / Extension arm  | 1                 |
| 7      | Obręcz / Goal  | 1                 |
| 8      | Siatka / Net   | 1                 |
| 9      | Rura do zmiany wysokości* / Pipe to change the height*                             | 1                 |
| A      | śruba M10x80 z tablicą 160/169 / M10x80 Bolt with backboard 160/169                | 4                 |
|        | śruba M10x60 z tablicą 170 / M10x60 Bolt with backboard 170                        |                   |
| B      | śruba zamkowa M8x60 z tablicą 160/169 / M8x60 Carriage Bolt with backboard 160/169 | 2                 |
|        | śruba zamkowa M8x40 z tablicą 170 / M8x40 Carriage bolt with backboard 170         |                   |
| C      | śruba M8x20 / M8x20 Bolt   | 6                 |
| D      | Obejma słupa M12 / Connection clip of post M12                                     | 2                 |
| E      | Zakleпка słupa / Hole plug of post   | 1                 |

\* Opcjonalnie / Optional

Rys. 1 / Pic 1



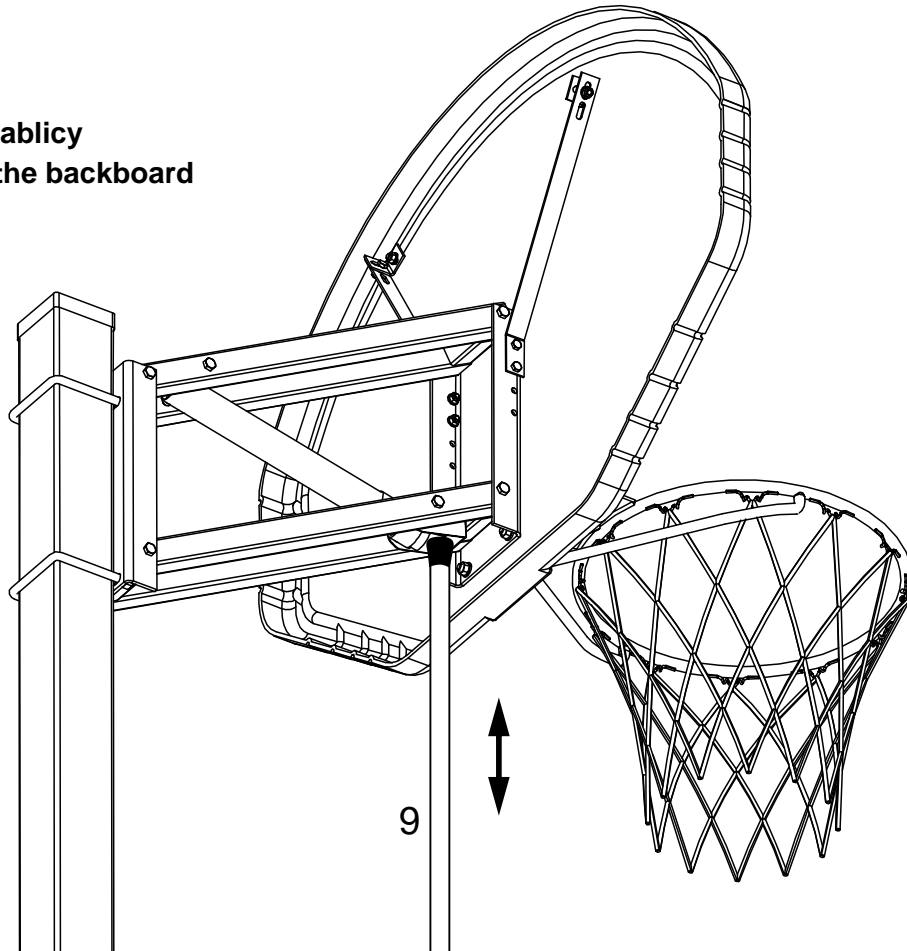
Rys. 2 / Pic 2



**Rys. 3 / Pic 3**

**Zmiana wysokości tablicy / Backboard height adjustment**

**Opuszczanie tablicy  
/ Lowering of the backboard**



**Podnoszenie tablicy  
/ Uplifting of the backboard**

